

F.R.L
F (Filtr)
R (Reg)
L (Lub)
PresSW
Shutoff
SlowStart
FimResistFR
Oil-ProhR
MedPresFR
No Cu/
PTFE FRL
Outdrs FR
F.R.L
(Related)
CompFRL
LgFRL
PrecsR
VacF/R
Clean FR
ElecPneuR
AirBoost
SpdContr
Silncr
CheckV/
other
Jnt/tube
AirUnt
PresCompn
Mech/
ElecPresSw
ContactSW
AirSens
PresSW
Cool
AirFloSens/
Contr
WaterRtSens
TotAirSys
(Total Air)
TotAirSys
(Gamma)
RefrDry
DesicDry
HiPolymDry
MainFiltr
Dischrg
etc
Ending

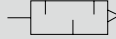


Silencer Small bore size/resin body SL/SLW Series

Noise reduction effect of 30 dB [A] or more.

● Port size: M5 / R1/8 to R1/2

JIS symbol



Specifications

Descriptions	SL-M5	SLW-6□	SLW-8□	SLW-10□	SLW-15□
Working fluid	Compressed air				
Max. working pressure MPa	1.0 (≈150 psi, 10 bar)				
Min. working pressure MPa	0 (≈0 psi, 0 bar)				
Proof pressure MPa	1.5 (≈220 psi, 15 bar)				
Fluid temperature °C	5 (41°F) to 60 (140°F) (no freezing. *2)				
Ambient temperature °C	-10 (14°F) to 60 (140°F) (no freezing)				
Port size R/NPT/G	M5	1/8	1/4	3/8	1/2
Weight g	5	3.5	7.5	15	21
Cylinder bore size mm	φ6 to φ15	φ20 to φ80	φ32 to φ80	φ50 to φ100	φ50 to φ100
Noise reduction effect dB	20 or more	30 or more			
Flow rate *1 ℓ/min (ANR)	300	650	1300	2000	4850
Effective cross-sectional area mm ²	5	10	20	30	75

*1: Flow rate is the atmospheric pressure conversion at 0.5 MPa.

*2: Freezing may occur due to adiabatic expansion depending on the air quality (dew point).

How to order

SL - M5

SLW - 6A

A Port size	
M5	M5 × 0.8

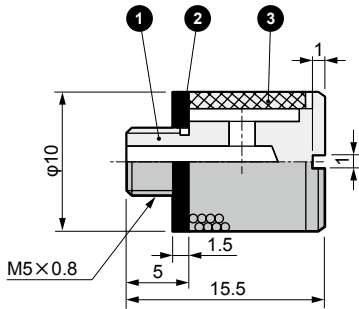
Note: Sales unit is 2 pcs./bag.

A Port size	
6A	R1/8
6N	NPT1/8
6G	G1/8
8A	R1/4
8N	NPT1/4
8G	G1/4
10A	R3/8
10N	NPT3/8
10G	G3/8
15A	R1/2
15N	NPT1/2
15G	G1/2

Internal structure and parts list/dimensions

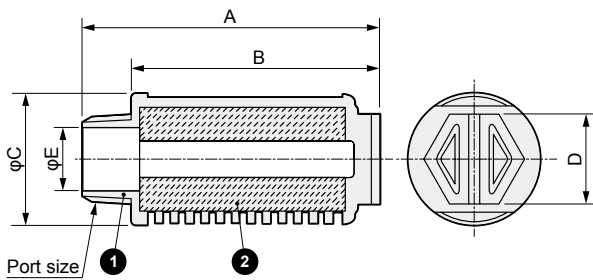


● SL-M5



No.	Part name	Material
1	Body	Copper alloy
2	Gasket	Nitrile rubber
3	Element	Copper alloy sintering

● SLW-6A/8A/10A/15A



No.	Part name	Material	Color
1	Body	Polyamide resin (flame-resistant resin *)	Wht
2	Element	PP sintered resin	Wht

* UL94 Standards V-0 equivalent

Model No.	A	B	C	D	E	Port size	
						A	N
SLW-6□	34	28	16.5	10	7	R1/8	NPT1/8
SLW-8□	44.5	36	20	13	8.5	R1/4	NPT1/4
SLW-10□	58.5	48.5	25.5	17	12	R3/8	NPT3/8
SLW-15□	71.4	58.4	28	19	15	R1/2	NPT1/2

⚠ Safety precautions

- Use tightening torque equivalent to the tightening strength of a human hand. (Refer to the table below for tightening torque guidelines.)

Thread size	Tightening torque (N·m)
M5	1.0
R1/8	1.0
R1/4	2.5
R3/8	3.0
R1/2	3.0

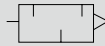
F.R.L
F (Filtr)
R (Reg)
L (Lub)
PresSW
Shutoff
SlowStart
FimResistFR
Oil-ProhR
MedPresFR
No Cu/PTFE FRL
Outdrs FR
F.R.L (Related)
CompFRL
LgFRL
PrecsR
VacF/R
Clean FR
ElecPneuR
AirBoost
SpdContr
Silncr
CheckV/other
Jnt/tube
AirUnt
PrecsCompn
Mech/ElecPresSw
ContactSW
AirSens
PresSW Cool
AirFloSens/Contr
WaterRtSens
TotAirSys (Total Air)
TotAirSys (Gamma)
RefrDry
DesicDry
HiPolymDry
MainFiltr
Dischrg etc
Ending

Silencer: High noise reduction/small bore size/resin body

SLW-*A-H Series

- Port size: Rc 1/4 to Rc 1/2

JIS symbol



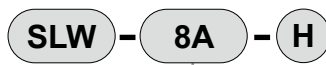
Specifications

Descriptions	SLW-8A-H	SLW-10A-H	SLW-15A-H
Working fluid	Compressed air		
Max. working pressure MPa	1.0 (≈150 psi, 10 bar)		
Min. working pressure MPa	0 (≈0 psi, 0 bar)		
Proof pressure MPa	1.5 (≈220 psi, 15 bar)		
Fluid temperature °C	5 (41°F) to 60 (140°F) (no freezing. *2)		
Ambient temperature °C	-10 (14°F) to 60 (140°F) (no freezing)		
Port size R	1/4	3/8	1/2
Weight g	7.5	15	21
Cylinder bore mm	φ32 to φ80	φ50 to φ100	φ50 to φ100
Noise reduction effect dB [A]	40 or more		
Flow rate *1 l/min (ANR)	1000	2000	3250
Effective cross-sectional area mm ²	15	30	50

*1: Flow rate is the atmospheric pressure conversion at 0.5 MPa.

*2: Freezing may occur due to adiabatic expansion depending on the air quality (dew point).

How to order



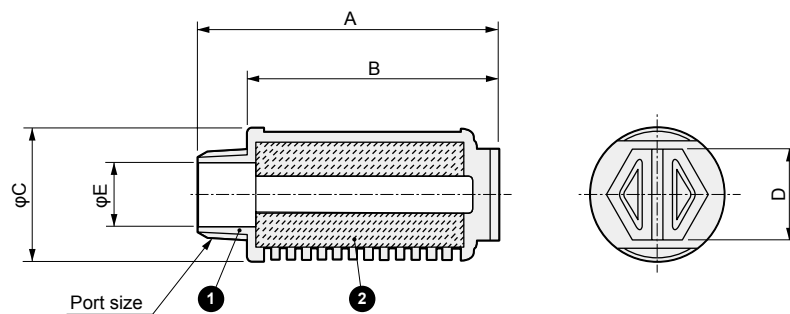
A Port size	
8A	R1/4
10A	R3/8
15A	R1/2

⚠ Safety precautions

- Use tightening torque equivalent to the tightening strength of a human hand and do not apply a lateral load. (Refer to the table below for tightening torque guidelines.)

Thread size	Tightening torque (N·m)
R1/4	2.5
R3/8	3.0
R1/2	3.0

Internal structure and parts list/dimensions



No.	Part name	Material	Color
1	Body	Polyamide resin (flame-resistant resin *)	White
2	Element	PP sintered resin	Light yellow

* UL94 Standards V-0 equivalent

Model No.	A	B	C	D	E	Port size
SLW-8A-H	44.5	36	20	13	8.5	R1/4
SLW-10A-H	58.5	48.5	25.5	17	12	R3/8
SLW-15A-H	71.4	58.4	28	19	15	R1/2

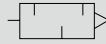


Silencer: Large flow rate/small bore size/resin body

SLW-*L Series

● Port size: R1/4 / R3/8

JIS symbol



Specifications

Descriptions		SLW-8L	SLW-10L
Working fluid		Compressed air	
Max. working pressure	MPa	1.0 (≈150 psi, 10 bar)	
Min. working pressure	MPa	0 (≈0 psi, 0 bar)	
Proof pressure	MPa	1.5 (≈220 psi, 15 bar)	
Fluid temperature	°C	5 (41°F) to 60 (140°F) (no freezing. *2)	
Ambient temperature	°C	-10 (14°F) to 60 (140°F) (no freezing)	
Port size	R	1/4	3/8
Weight	g	15	19.5
Cylinder bore	mm	φ32 to φ80	φ50 to φ100
Noise reduction effect	dB [A]	30 or more	
Flow rate *1	ℓ/min(ANR)	2000	4000
Effective cross-sectional area	mm ²	30	60

*1: Flow rate is the atmospheric pressure conversion at 0.5 MPa.

*2: Freezing may occur due to adiabatic expansion depending on the air quality (dew point).

How to order

SLW - 8L

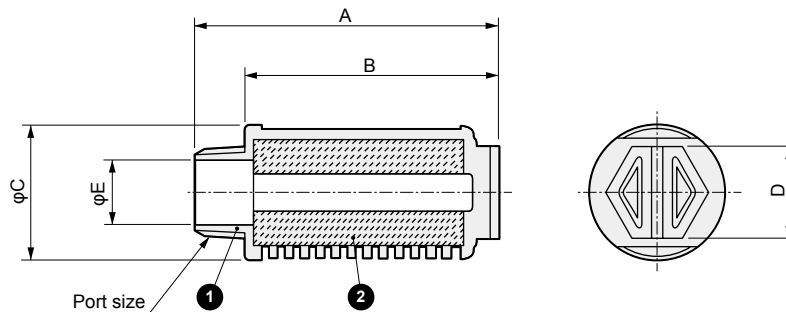
A Port size	
8L	R1/4
10L	R3/8

⚠ Safety precautions

- Use tightening torque equivalent to the tightening strength of a human hand. (Refer to the table below for tightening torque guidelines.)

Thread size	Tightening torque (N·m)
R1/4	2.5
R3/8	3.0

Internal structure and parts list/dimensions



No.	Part name	Material	Color
1	Body	Polyamide resin (flame-resistant resin *)	White
2	Element	PP sintered resin	White

* UL94 Standards V-0 equivalent

Model No.	A	B	C	D	E	Port size
SLW-8L	57.4	48.5	25.5	17	8.5	R1/4
SLW-10L	68.2	58.4	28	19	12	R3/8

F.R.L
F (Filtr)
R (Reg)
L (Lub)
PresSW
Shutoff
SlowStart
FmResistFR
Oil-ProhR
MedPresFR
No Cu/
PTFE FRL
Outdrs FR
F.R.L
(Related)
CompFRL
LgFRL
PrescR
VacF/R
Clean FR
ElecPneuR
AirBoost
SpdContr
Silncr
CheckV/
other
Jnt/tube
AirUnt
PresCompn
Mech/
ElecPresSw
ContactSW
AirSens
PresSW
Cool
AirFloSens/
Contr
WaterRtSens
TotAirSys
(Total Air)
TotAirSys
(Gamma)
RefrDry
DesicDry
HiPolymDry
MainFiltr
Dischrg
etc
Ending



Silencer: High noise reduction/compact

SLW-6S/8S Series

Compact and lightweight, with a noise reduction effect of 25 dB [A] and over

JIS symbol



Specifications

Descriptions	SLW-6S	SLW-8S
Working fluid	Compressed air	
Max. working pressure MPa	1.0 (≈150 psi, 10 bar)	
Min. working pressure MPa	0 (≈0 psi, 0 bar)	
Proof pressure MPa	1.5 (≈220 psi, 15 bar)	
Fluid temperature °C	5 (41°F) to 60 (140°F) (no freezing. *2)	
Ambient temperature °C	-10 (14°F) to 60 (140°F) (no freezing)	
Port size	R 1/8	R 1/4
Weight	1.0	2.0
Cylinder bore	φ20 to φ80	φ32 to φ80
Noise reduction effect dB [A]	25 or more	28 or more
Flow rate *1) l/min(ANR)	800	1900
Effective cross-sectional area mm ²	12	30

*1: Flow rate is the atmospheric pressure conversion at 0.5 MPa.

*2: Freezing may occur due to adiabatic expansion depending on the air quality (dew point).

How to order



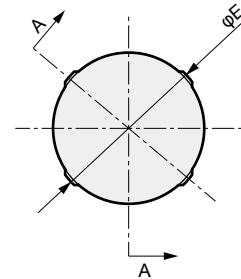
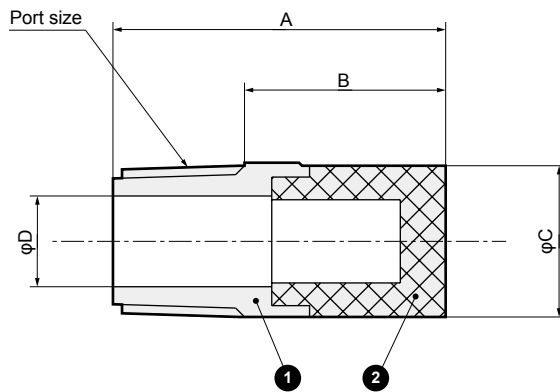
A	Port size
6	R1/8
8	R1/4

⚠ Safety precautions

Use tightening torque equivalent to the tightening strength of a human hand.
(Refer to the table below for tightening torque guidelines.)

Thread size	Tightening torque (N·m)
R1/8	0.1 to 0.15
R1/4	0.15 to 0.25

Dimensions and internal structure



Cross-section A-A

No.	Part name	Material	Color
1	Body	PP	White
2	Element	PP sintered resin	White

Model No.	Port size	A	B	C	D	E
SLW-6S	R1/8	22	13.3	10.5	6	10.5
SLW-8S	R1/4	28	19	14.8	9	15.4

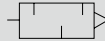


Silencer: High noise reduction/compact

SLW-20S Series

Compact with a noise reduction effect of 30 dB [A] and over

JIS symbol



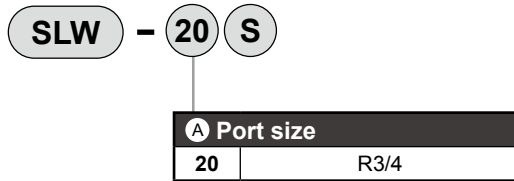
Specifications

Descriptions	SLW-20S
Working fluid	Compressed air
Max. working pressure MPa	1.0 (≈150 psi, 10 bar)
Min. working pressure MPa	0 (≈0 psi, 0 bar)
Proof pressure MPa	1.5 (≈220 psi, 15 bar)
Fluid temperature °C	5 (41°F) to 60 (140°F) (no freezing. *2)
Ambient temperature °C	-10 (14°F) to 60 (140°F) (no freezing)
Port size	R 3/4
Weight	g 20
Cylinder bore	mm φ100 to φ200
Noise reduction effect dB [A]	30 or more
Flow rate *1) ℓ/min(ANR)	6000
Effective cross-sectional area mm ²	90

*1: Flow rate is the atmospheric pressure conversion at 0.5 MPa.

*2: Freezing may occur due to adiabatic expansion depending on the air quality (dew point).

How to order

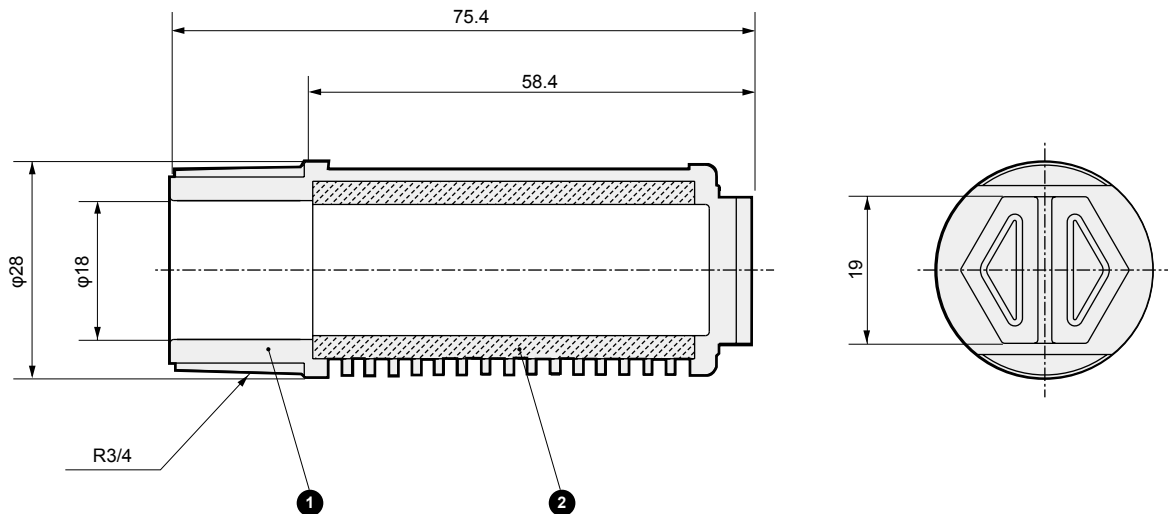


⚠ Safety precautions

Use tightening torque equivalent to the tightening strength of a human hand.
(Refer to the table below for tightening torque guidelines.)

Thread size	Tightening torque (N·m)
R3/4	3.0

Dimensions and internal structure

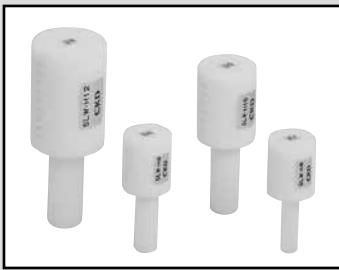


No.	Part name	Material	Color
1	Body	Polyamide resin (flame-resistant resin *)	White
2	Element	PP sintered resin	White

* UL94 Standards V-0 equivalent

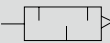
F.R.L
F (Filtr)
R (Reg)
L (Lub)
PresSW
Shutoff
SlowStart
FimResistFR
Oil-ProhR
MedPresFR
No Cu/ PTFE FRL
Outdrs FR
F.R.L (Related)
CompFRL
LgFRL
PrecsR
VacF/R
Clean FR
ElecPneuR
AirBoost
SpdContr
Silncr
CheckV/ other
Jnt/tube
AirUnt
PresCompn
Mech/ ElecPresSw
ContactSW
AirSens
PresSW Cool
AirFloSens/ Contr
WaterRISens
TotAirSys (Total Air)
TotAirSys (Gamma)
RefrDry
DesicDry
HiPolymDry
MainFiltr
Dischrg etc
Ending

F.R.L
F (Filtr)
R (Reg)
L (Lub)
PresSW
Shutoff
SlowStart
FimResistFR
Oil-ProhR
MedPresFR
No Cu/
PTFE FRL
Outdrs FR
F.R.L
(Related)
CompFRL
LgFRL
PrecsR
VacF/R
Clean FR
ElecPneuR
AirBoost
SpdContr
Silncr
CheckV/
other
Jnt/tube
AirUnt
PresCompn
Mech/
ElecPresSw
ContactSW
AirSens
PresSW
Cool
AirFloSens/
Contr
WaterRtSens
TotAirSys
(Total Air)
TotAirSys
(Gamma)
RefrDry
DesicDry
HiPolymDry
MainFiltr
Dischrg
etc
Ending



Silencer Push-in SLW-H* Series

● Port size: φ6, φ8, φ10, φ12

JIS symbol 



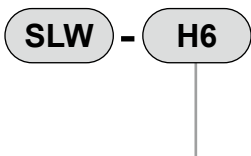
Specifications

Descriptions	SLW-H6	SLW-H8	SLW-H10	SLW-H12
Working fluid	Compressed air			
Max. working pressure MPa	0.7 (≈100 psi, 7 bar)			
Min. working pressure MPa	0 (≈0 psi, 0 bar)			
Proof pressure MPa	1.05 (≈150 psi, 10.5 bar)			
Fluid temperature °C	5 (41°F) to 60 (140°F) (no freezing. *2)			
Ambient temperature °C	-10 (14°F) to 60 (140°F) (no freezing)			
Port size	φ6	φ8	φ10	φ12
Weight g	3.5	3.5	6.2	12.5
Noise reduction effect dB(A)	20 or more			
Flow rate *1 ℓ/min	455	550	1135	1655
Effective cross-sectional area mm ²	7	8.5	17.5	25.5

*1: Flow rate is the atmospheric pressure conversion at 0.5 MPa.

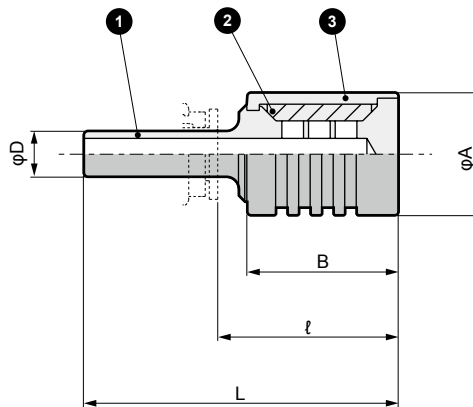
*2: Freezing may occur due to adiabatic expansion depending on the air quality (dew point).

How to order



A Port size	
H6	φ6
H8	φ8
H10	φ10
H12	φ12

Dimensions and internal structure



No.	Part name	Material
1	Shaft body	Polyamide resin
2	Element	Felt
3	Cover	Polyamide resin

Model No.	A	B	D	L	ℓ*
SLW-H6	16	20	φ6	41	23.5
SLW-H8	16	20	φ8	42	23
SLW-H10	20	27	φ10	53	31.5
SLW-H12	25	37	φ12	66	43

* For connection fitting, dimensions of CKD (GW Series) are shown.